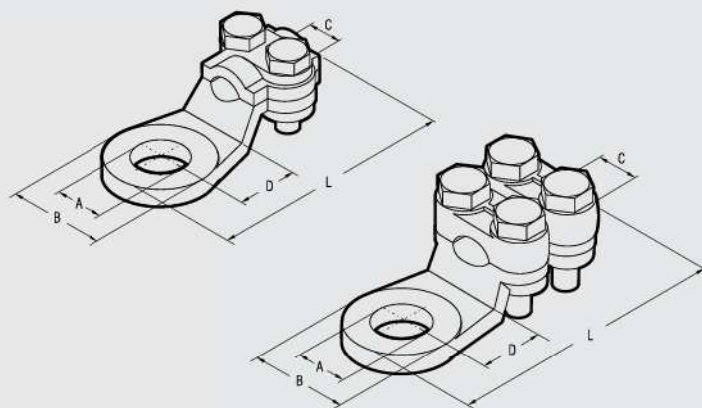


CAPICORDA A MORSETTO



Materiale:
 OTTONE CC754S EN 1982
 nichelato.
 Viti in ACCIAIO zincate.

2 bulloni

Sezione mm ²	Tipo	A per vite	Dimensioni mm				Imballo
			B	C	D	L	
16	2155	M8	18,0	4,5	12,5	40	100
16	2171	M10	18,0	4,5	12,5	40	100
25	2156	M8	19,5	6,0	13,0	43	100
25	2172	M10	19,5	6,0	13,0	43	100
35	2157	M12	23,0	7,0	15,0	49	50
35	2173	M14	23,0	7,0	15,0	49	50
50	2174	M14	25,0	8,0	17,0	56	50

4 bulloni

Sezione mm ²	Tipo	A per vite	Dimensioni mm				Imballo
			B	C	D	L	
50	2158	M12	23,5	8	16,0	57	50
75	2160	M12	28,0	10	20,0	65	25
75	2176	M16	28,0	10	20,0	65	25
100	2161	M12	31,0	13	17,0	66	25
125	2162	M15	33,0	14	18,0	71	25
150	2163	M14	34,0	16	19,5	75	25
175	2164	M15	36,0	16	21,0	78	25